

Large Conference Room

Design Guide

DOC-0518-001 REV 1.8 – Mar 25, 2022

Room Application

Audio Teleconferencing

Included Interfaces

VoIP, Analog Telco, USB Audio, Bluetooth

Primary Equipment

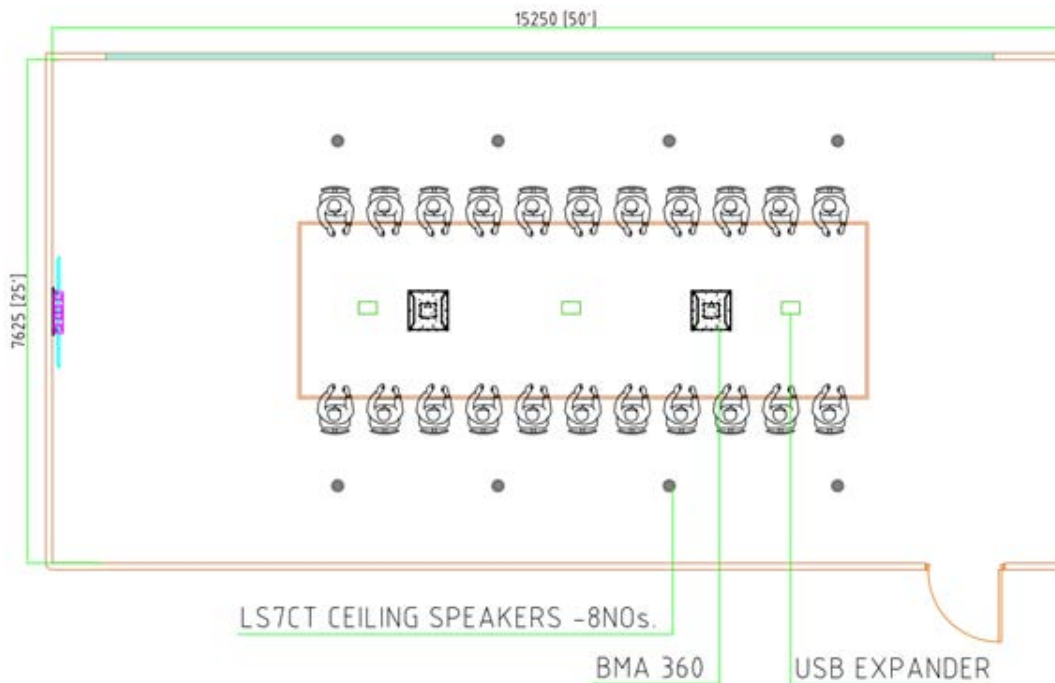
- CP2 48VT
- BMA360
- USB Expander
- BT Expander

Software/Firmware revisions utilized

- Console AI Version: 7.5.4.1
- DSP Version: 8.5.15.0
- BMA360 Version: 1.0.6.10



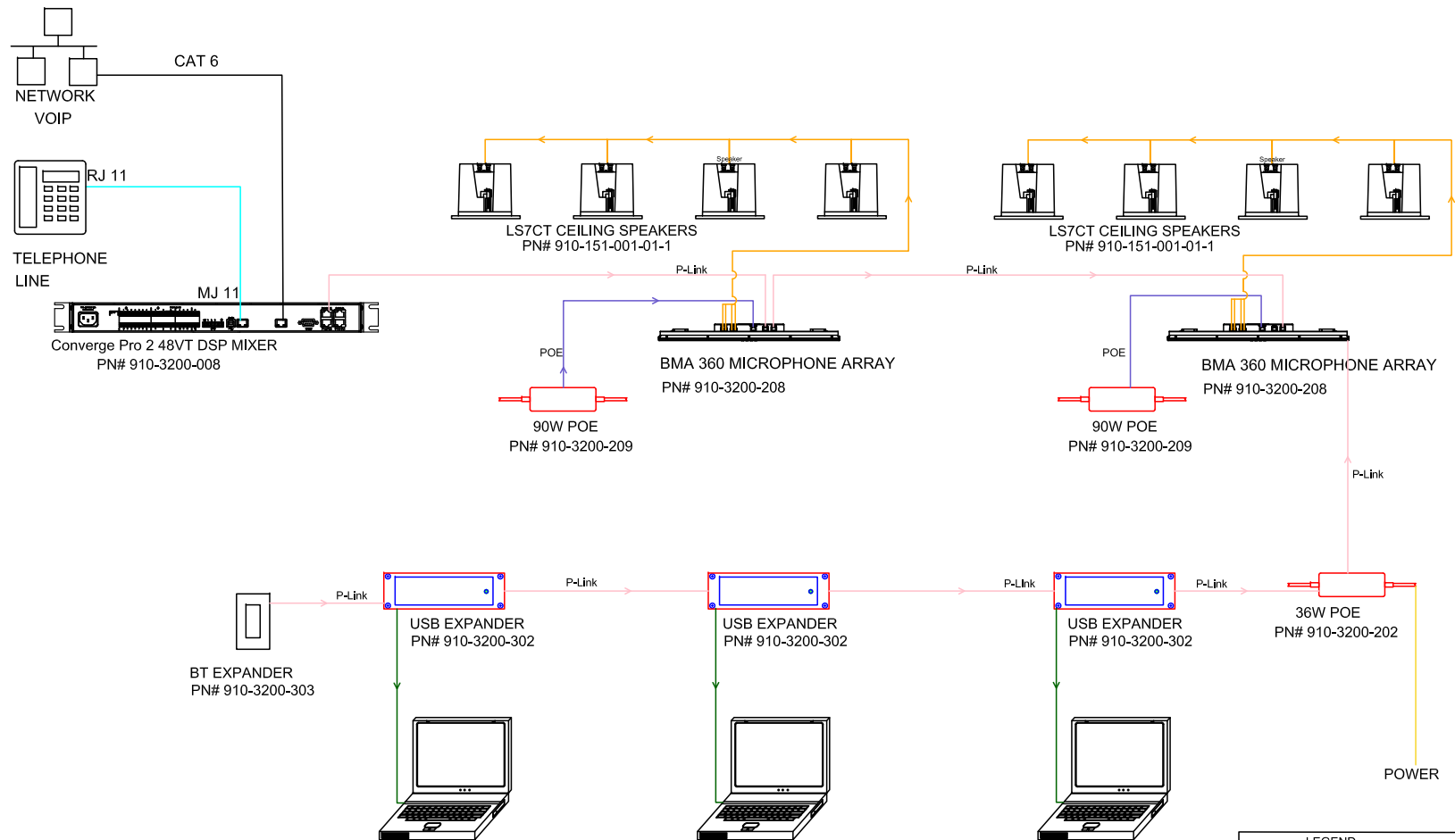
Room Illustrations



Room Description

A large conference room with VoIP, Telco and web conferencing capabilities. With the simple wiring and installation need, this design is an excellent solution if you have a large conference room where quality teleconferencing is key and a limited AV budget.

Wiring Diagram



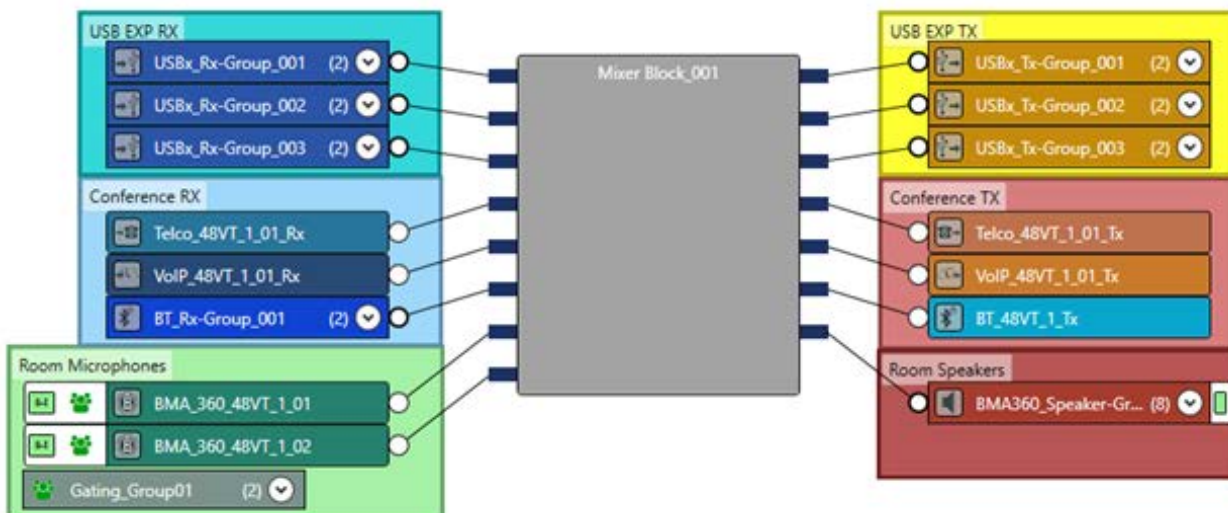
NOTE: ANY INDIVIDUAL P-LINK MUST NOT EXCEED 200 FEET / 61 METER IN LENGTH

LEGEND	
	SPEAKER (18 AWG Wire)
	POE
	USB
	HDMI
	P-LINK (CAT 6)
	NETWORK (CAT 6)

Equipment list:

Qty	Part Number	Product Name	Description
1	910-3200-008	CONVERGE® Pro 2 48VT	DSP Mixer with 4 Mic/Line AEC Inputs, 8 Mic/Line Outputs, USB Audio, VoIP, Telephone Interface, 2 x 10 Watt Power Amplifier
2	910-3200-209	90W PoE++ power supply kit for BMA	Includes 1 x 90 Watt PoE++ Injector, 2 x 25 ft CAT6 cables
1	910-3200-202	36W PoE+ power supply kit for BMA	Includes 1 x 36 Watt PoE+ Injector, 2 x 25 ft CAT6 cables
2	910-3200-208	BMA 360 24 Inch	BMA with 4 x 15 Watt Power Amplifiers. PoE Injector and CAT6 cables not included. 910-3200-208-I 600 mm model also available.
3	910-3200-302	USB Expander for CONVERGE Pro 2	Includes 6 ft USB cable
1	910-3200-303	CONVERGE Blue Tooth Expander	Includes Bluetooth Expander Wall Panel, Trim Plate, Low Voltage 1-Gang Wall Bracket, NFC Button
4	910-151-001-01-1	Ceiling Speakers	Includes 2 x LS7CT ceiling speakers with 8 ohm and 70V/100V transformer taps and ceiling tile bridges.

FlowView™ Diagram



Included Macros

- Microphone_Mute : Mutes both room BMA 360 Microphones.
- Microphone_Unmute : Unmutes both room BMA 360 Microphones.
- Room_SPKR_Mute : Mutes all room speaker channels.
- Room_SPKR_Unmute : Unmutes all room speaker channels.
- Room_VOL_DN : Decreases the room speaker volume by 3 dB per execution.
- Room_VOL_UP : Increases the room speaker volume by 3 dB per execution.

* Macros can be executed via Telnet or serial communications.
Refer to the Converge Pro 2 Serial Command Reference Manual for details.

Download the Large Conference Room files: [HERE](#)

SALES AND INQUIRIES

Headquarters

5225 Wiley Post Way Suite 500
Salt Lake City, UT 84116

Headquarters

Main: +1.801.975.7200

Sales

Tel: +1.801.975.7200
sales@clearone.com

Tech Support

Tel: +1.801.974.3760
audiotechsupport@clearone.com